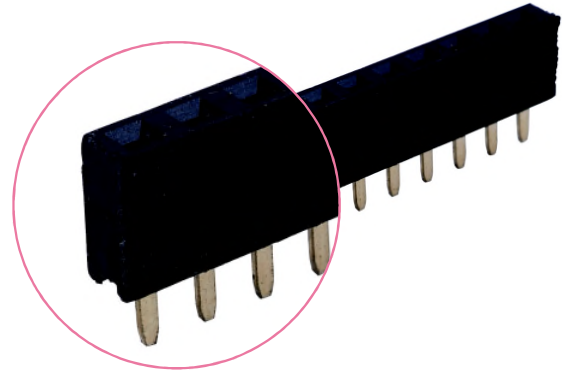


2.54 Series

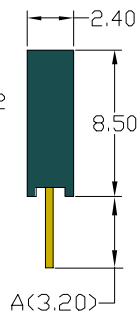
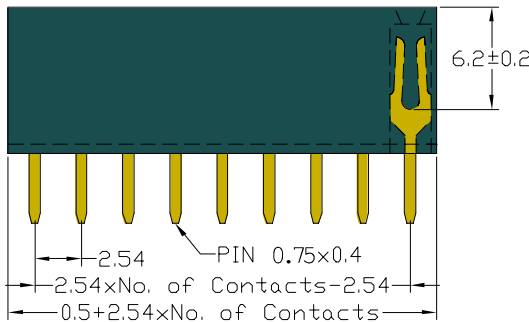
Female Header



P.C.Board Hole Layout



2.54 ± 0.05



SPECIFICATIONS

- Current Rating:
3 Amps
- Insulator resistance:
5000 Megohms Min.
- Contact resistance:
20 m ohm Max.
- Dielectric withstanding:
AC 500 V
- Operating Temperature:
-40° - +105°C
- Contact Material:
Brass/Phosphor Bronze
- Insulator Material:
Standard: P.B.T
- Finish:
Gold flash or Tin plated or Duplex plating

