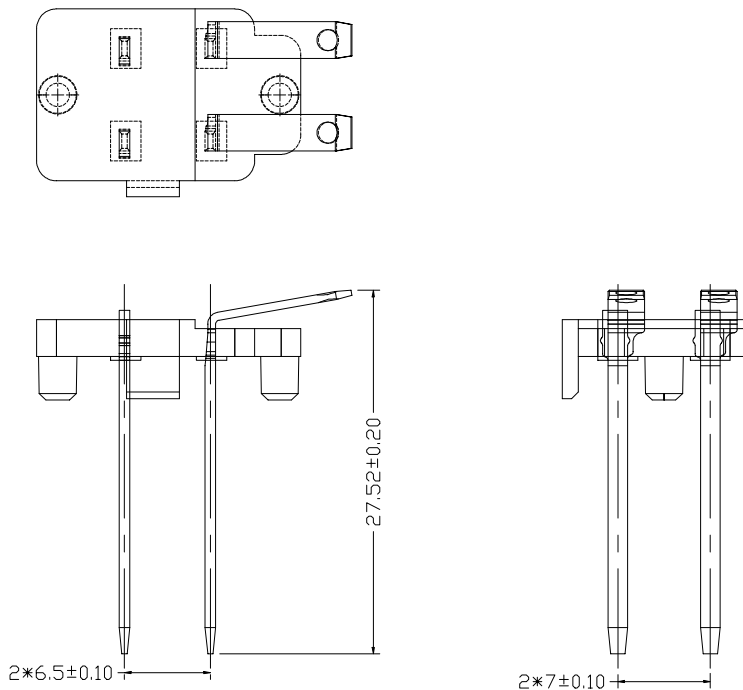


Car connector



SPECIFICATIONS

Current Rating:
 3 Amps
 Insulator resistance:
 1000 Megohms Min.
 Dielectric withstanding:
 AC 500 V
 Operating Temperature:
 -40° C - +105° C
 Contact Material:
 Brass H70 (C2600H)
 Insulator Material:
 PBT 420+GF30%
 Color:Black
 PIN: Electroplating:
 high temperature fog tin



B 7 0 0 1 - 0 4 R 1 P B - 0 2 T

Insulator material
 N: Nylon-6T
 B: PBT
 L: LCP
 D: NY66

Number of Contact

Appearance of pin header
 R1P: Right angle

Color

Plating material
 G Gold Plated
 T Tin Plated
 H Duplex Plated

Plating thickness
 01 Normal
 02 High temperature