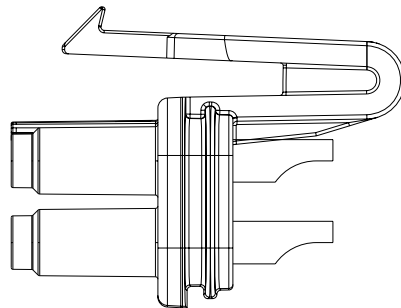
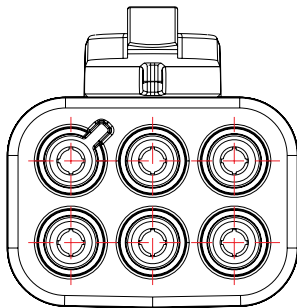


# Car Connector



## SPECIFICATIONS

1. Material: PA66+15% Glass Fiber UL94V-0
2. Pantone cool gray 9C
3. Material: BZ4 (CuSn4pb4Zn4)  
Plating: Swisscoat1, Ni 4  $\mu$ m middle/Au 0.2  $\mu$ m middle



X 2 4 1 7 - 0 6 S 1 0 X - 0 8 X

**Insulator material**  
N: Nylon-6T  
B: PBT  
L: LCP  
D: NY66

**Row of pin**  
1: single row  
2: dual row

**PH:**  
4: 4.90mm

**Number of Contact**

**Appearance of pin header**  
S10: Straight  
D10: Right angle  
M10: SMT

**Color**

**Plating material**  
G Gold Plated  
T Tin Plated  
H Duplex Plated

**Plating thickness**  
01 Normal  
08 8u"  
15 15u"