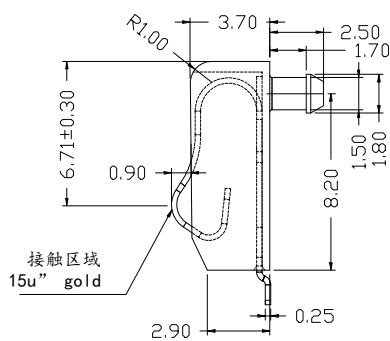
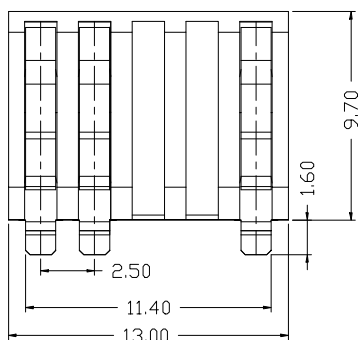
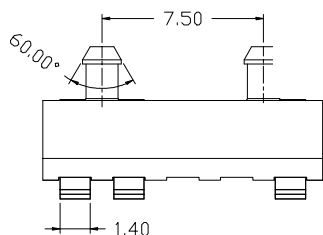
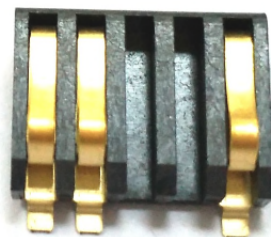


Other connectors Series

2.00mm



SPECIFICATIONS

Current Rating:
3 Amps
Operating Temperature:
-40°C - +125°C
Contact Material:
PHOSPHOR BRONZE C5191
0.25T
Insulator Material:
L.C.P(E130) 30% GF
Color: Black
Finish: 15u±gold on
contact area; 50u±nickel
plating underneath.
Other areas gold flash
plating

L 2 5 0 3 - 0 5 S 1 P X - 1 5 X - A

Insulator material
N: Nylon-6T
B: PBT
L: LCP
D: NY66

Number of Contact

Appearance of pin header
S1P: Straight+导柱
D10: Right angle
M1P:SMT

Color

Plating material
G Gold Plated
T Tin Plated
H Duplex Plated

Plating thickness
01 Normal
08 8u"
15 15u"