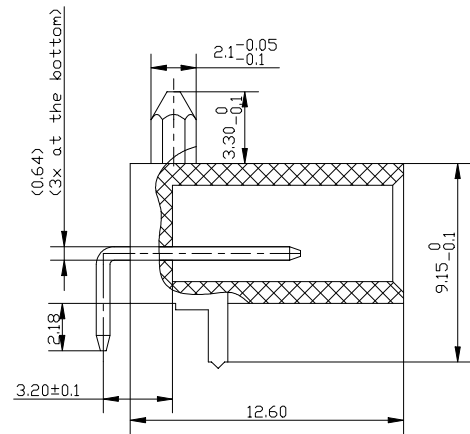
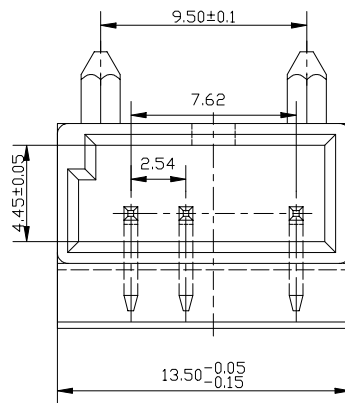
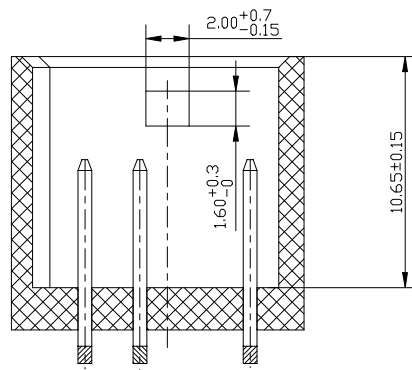


Car Connector



SPECIFICATIONS

Contact Material:
 Brass
Insulator Material:
 PPS R10
Color: Black
Finish: Gold finish



P 1 2 6 4 - 0 4 R 1 0 - 0 1 G

Insulator material
 N: Nylon-6T
 P: PPS
 L: LCP

Number of Contact

Appearance of pin header
 R10: Right angle

Plating material
 G Gold Plated
 T Tin Plated
 H Duplex Plated

Plating thickness
 01 Normal
 02 High temperature