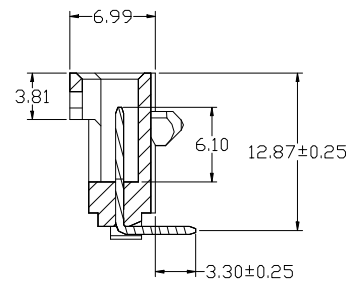
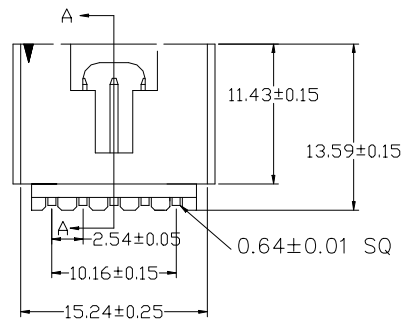
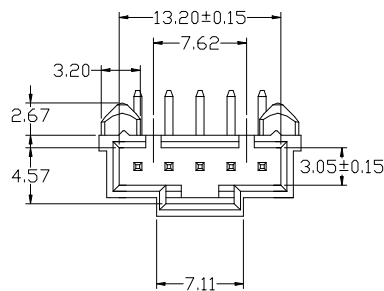
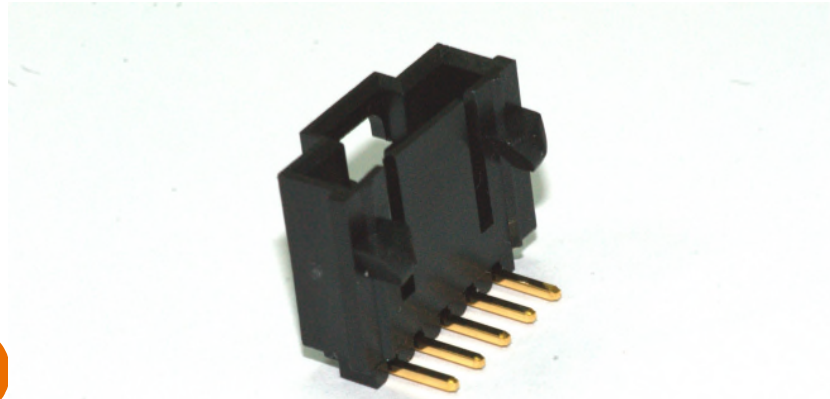


# 2.54 CD-ROM

## SPECIFICATIONS

Current Rating:  
3 Amps  
Insulator resistance:  
5000 Megohms Min.  
Dielectric withstanding:  
AC 500 V  
Operating Temperature:  
-40°C - +105°C  
Contact Material:  
Brass  
Insulator Material:  
PBT UL94V-0  
Color: Black  
Finish:  
Gold Plated 15u"



**B** **1** **1** **0** **1** - **0** **5** **R** **1** **P** **X** - **1** **5** **X**

**Insulator material**  
N: Nylon-6T  
B: PBT  
L: LCP  
D: NY66

**Number of Contact**

**Appearance of pin header**  
S10: Straight  
R10: Right angle  
M10: SMT

**Color**

**Plating material**  
G Gold Plated  
T Tin Plated  
H Duplex Plated

**Plating thickness**  
01 Normal  
08 8u"  
15 15u"