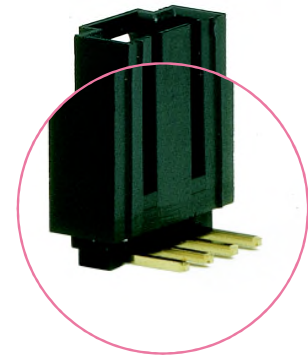
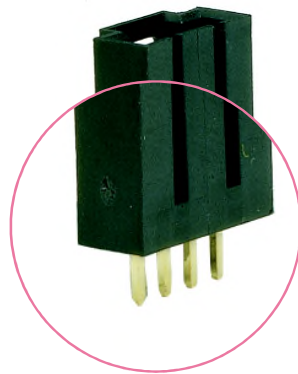
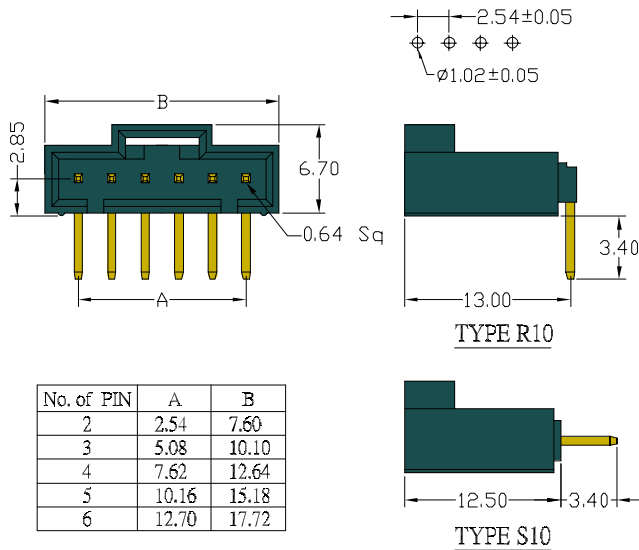


2.54 Series

CD Rom



Recommended P.C.Board Hole Layout



SPECIFICATIONS

1.MATERIAL:

- *INSULATOR:POLYESTER UL 94V-0
- *CONTACT:BRASS
- *PLATING:GOLD Flash OR TINNED

2.ELECTRICAL:

- *CURRENT RATING:3 AMP
- *INSULATOR RESISTANCE:5000 Megohms MIN.
- *CONTACT RESISTANCE:20 m ohms MAX.
- *DIELECTRIC WITHSTANDING:AC 500 V

3.ENVIRONMENTAL:

- *TEMPERATURE RANGE:-40°C TO +105°C

B 1 1 0 1 - X X X 1 0 - X X X

No. Of Pin

S110 -straight
R110 -right angle

Plating thickness

01 Normal
03 3 μ
05 5 μ
10 10 μ
15 15 μ
30 30 μ

Plating material

G Gold plated
T Tin plated
P Lead & Tin plated
H Selective gold plated