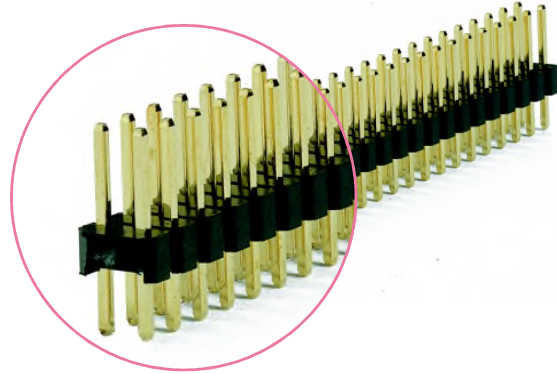
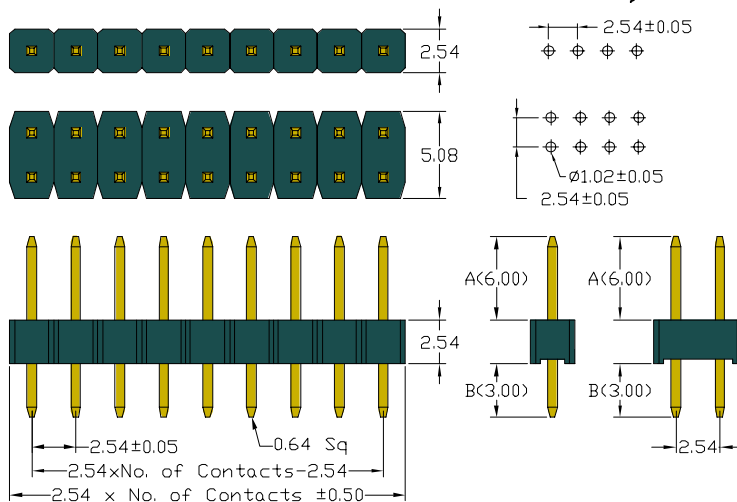


2.54 Series

Pin Header



Recommended P.C.Board Hole Layout



SPECIFICATIONS

- Current Rating: 3 Amps
- Voltage Rating: 230V
- Insulator resistance: 5000 Megohms Min.
- Contact Resistance: 20m ohms Max
- Dielectric withstanding: AC 500 V
- Operating Temperature: $-40^{\circ}\text{C} - +105^{\circ}\text{C}$
- Contact Material: Brass
- Insulator Material: Nylon-6T UL94V-0
- Color: Black
- Finish: Gold Flash

