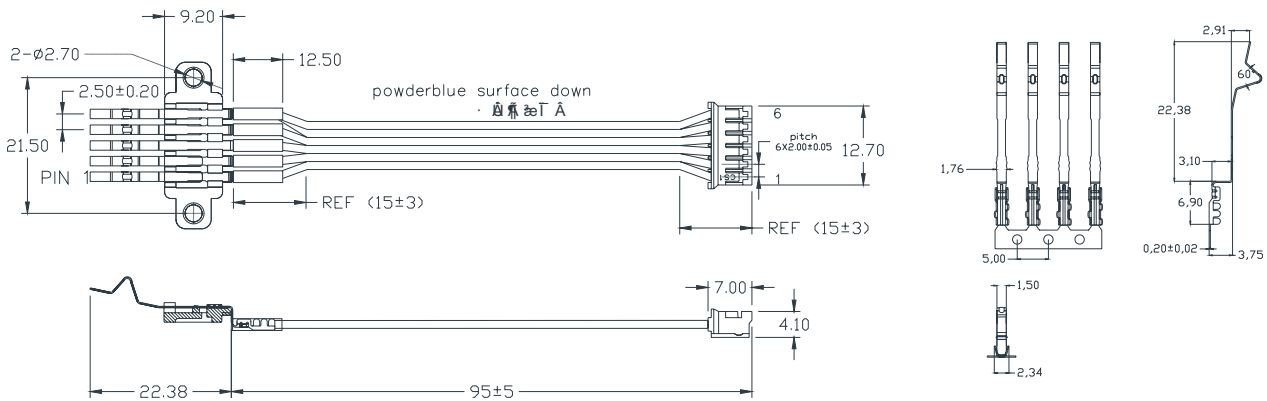
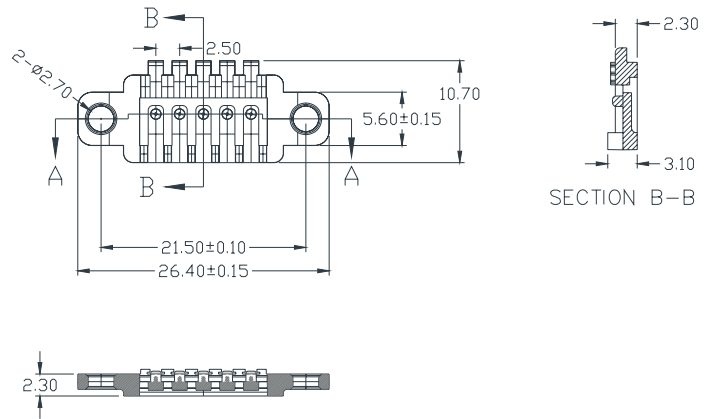


# 2.5mm



## SPECIFICATIONS

Insulation Material:  
 CHMI ABS PA-765 UL94V-0  
 Color: Black  
 Contact Material:  
 BeCu C17200 ALLOY 25 1/2 HARD  
 Finish:  
 Test Point Gold flash 30u" over  
 Nickel 50u" Min  
 Other general gold plated



**A 2 5 0 0 - S 0 5 B**

A: ABS

Number of Contact

Color