

D-SUB MALE 180DIP

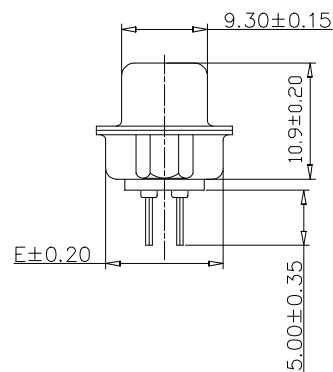
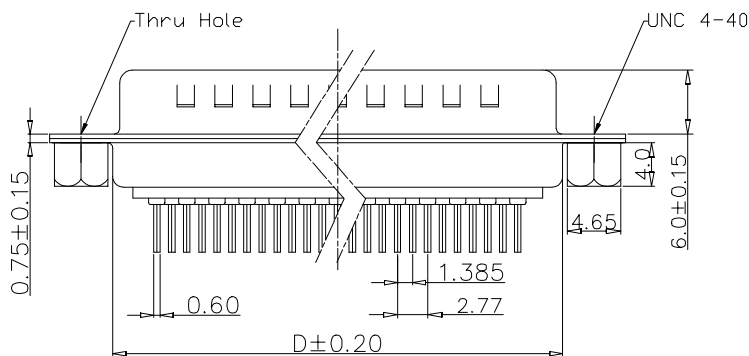
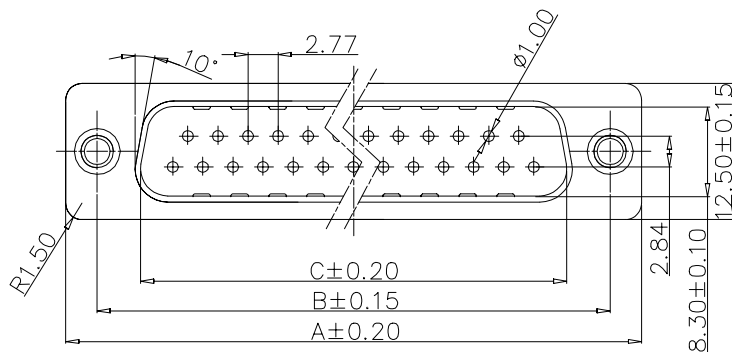
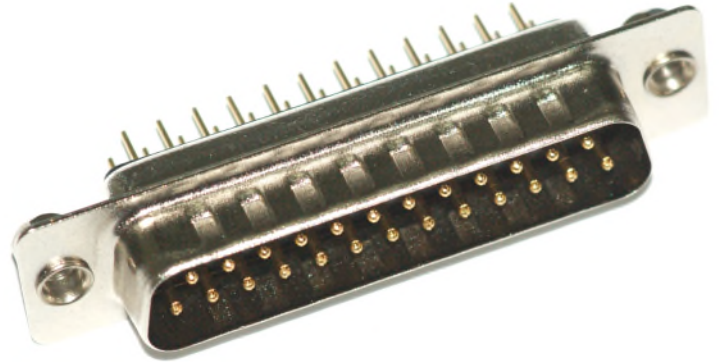
SPECIFICATIONS

Material:

1. Insulator: PBT
2. Contact: Brass C2680
3. Contact Plated: gold plated over Nickel
4. Shell: SPCC-SD
5. Shell Plated: Cu/Ni plated and Cu/Sn plated

SPECIFICATION:

1. Contact Current Rating: 5 AMPS
2. Insulation Resistance: 1000M Ohm MIN. AT 500V DC
3. Dielectric Withstanding Volt: AC 500V/min. R. M. S.
4. Operation Temperature: -55°C to $+105^{\circ}\text{C}$
5. Contact resistance: 20M Min at 500V DC



DM 7 5 4 0 - X X S 1 0 B - 0 1 G

Number of Contact

Appearance of pin header
S10: Straight

Color

Plating material
G Gold Plated
T Tin Plated
H Duplex Plated

Plating thickness
01 Normal
08 8u"
15 15u"