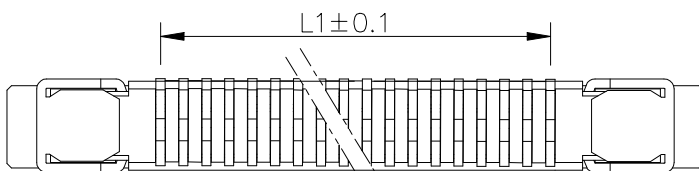
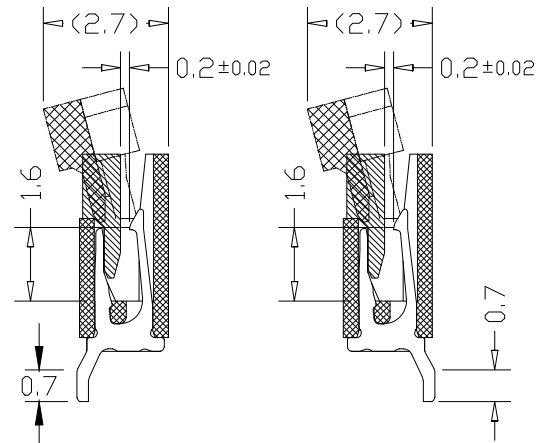
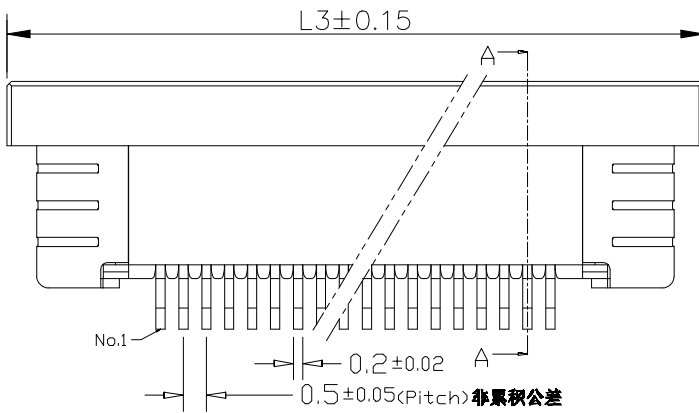
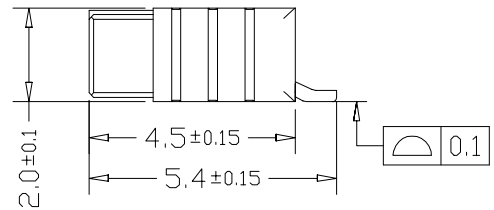
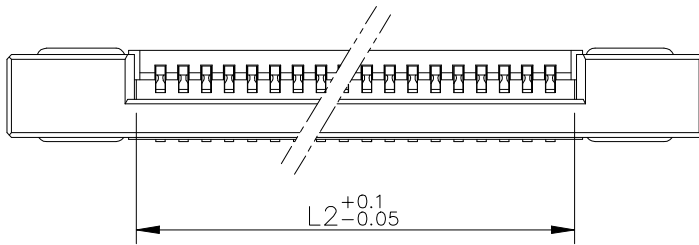


# 0.5A卧贴上/下接 FPC

## SPECIFICATIONS



Insulator resistance:  
 500M $\Omega$  Min.  
 Contact resistance:  
 0.03 $\Omega$  Max.  
 Rated voltage:  
 50V AC/DC  
 Withstand voltage:  
 500V,AC/minute  
 Operating temperature:  
 -25 $^{\circ}$ C - +85 $^{\circ}$ C  
 Contact Material:  
 Phosphor Bronze  
 Insulator Material:  
 Nylon-46(本色) UL94V-0  
 PPS BLACK UL94V-0  
 Finish:  
 80u"min Tin Plated  
 over30u"min Nickel



E 1 0 0 5 - X X X 1 0 W - 0 1 T

**Insulator material**  
 E: Nylon-46  
 L: LCP

**Number of Contact**

**Appearance of pin header**  
 J10: 上接触  
 J20: 下接触  
 M10: SMT

Color

**Plating material**  
 G Gold Plated  
 T Tin Plated  
 H Duplex Plated

**Plating thickness**  
 01 Normal  
 08 8u"  
 15 15u"