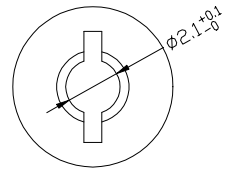
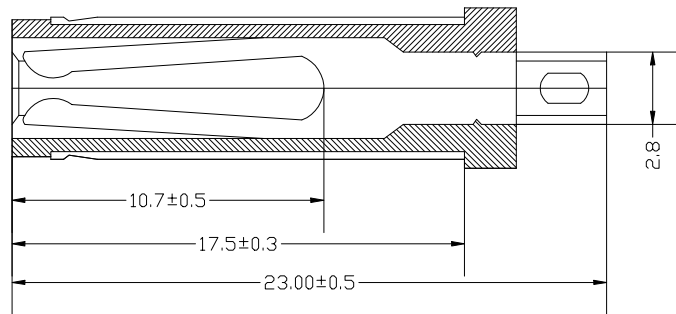
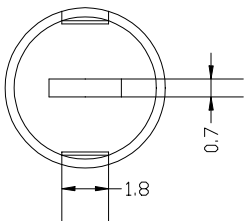
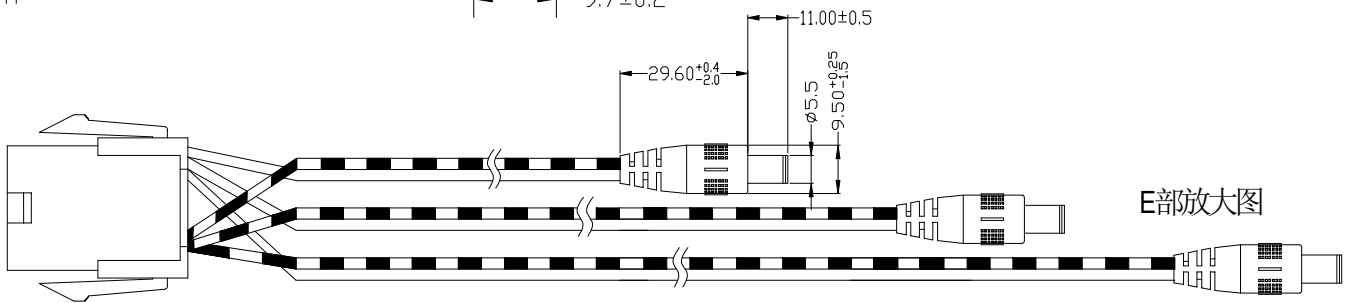
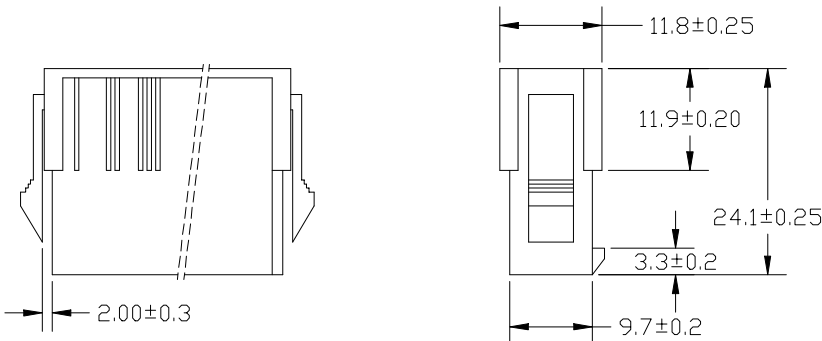
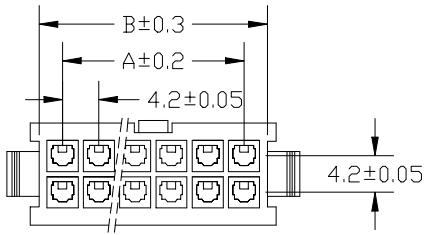


4.2mm



B P L U G 2 1 - B 0 1 N - A

copper material
P: Phosphor Bronze
B: Brass
C: Becu

Plating material
G Gold Plated
T Tin Plated
N Ni Plated

Plating thickness
01 Normal
04 4u"
30 30u"