

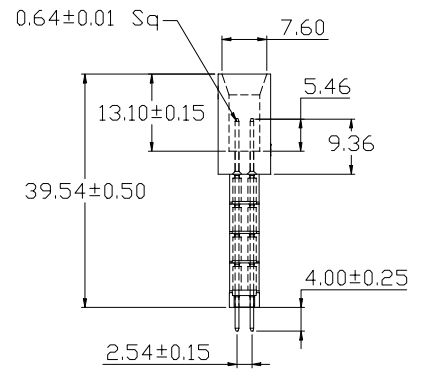
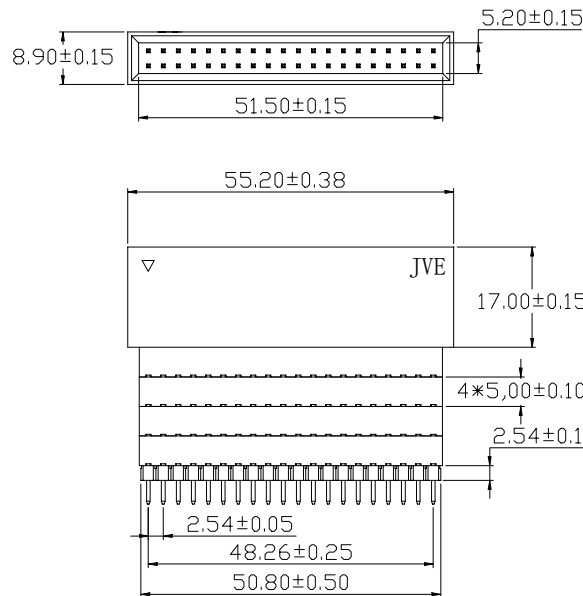
2.54 Series

Box Header



SPECIFICATIONS

Current Rating:
 3 Amps
 Voltage Rating:
 230V
 Insulator resistance:
 5000 Megohms Min.
 Contact Resistance:
 20m ohms Max
 Dielectric withstanding:
 AC 500 V
 Operating Temperature:
 -40°C - +105°C
 Contact Material:
 Brass
 Insulator Material:
 Nylon-6T UL94V-0
 Color: Black
 Finish:
 Gold flash



N 6 9 6 7 - 4 0 S 6 4 X - 0 1 X

Insulator material
 N: Nylon-6T
 B: PBT
 L: LCP
 D: NY66

2.54 Box Header

Number of Contact
 6

Color

Appearance of pin header
 S64: Straight+6层塑胶
 D10: Right angle
 M00:SMT

Plating material
 G Gold Plated
 T Tin Plated
 H Duplex Plated

Plating thickness
 01 Normal
 08 8u"
 15 15u"